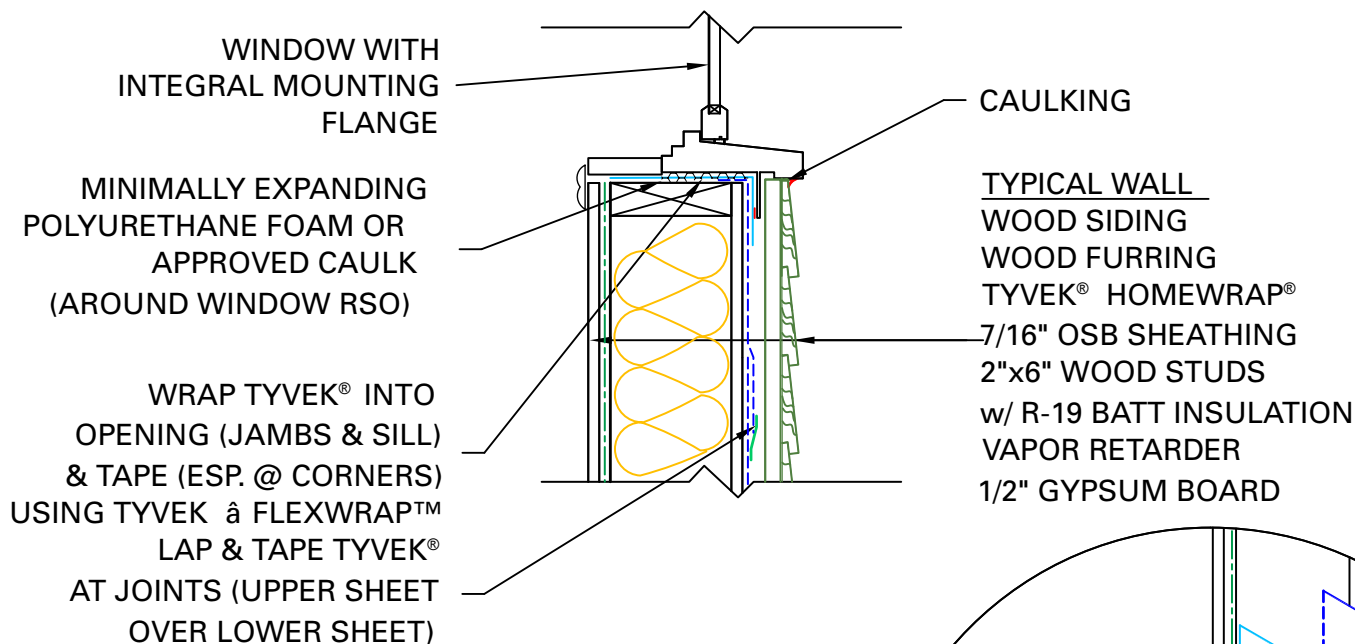
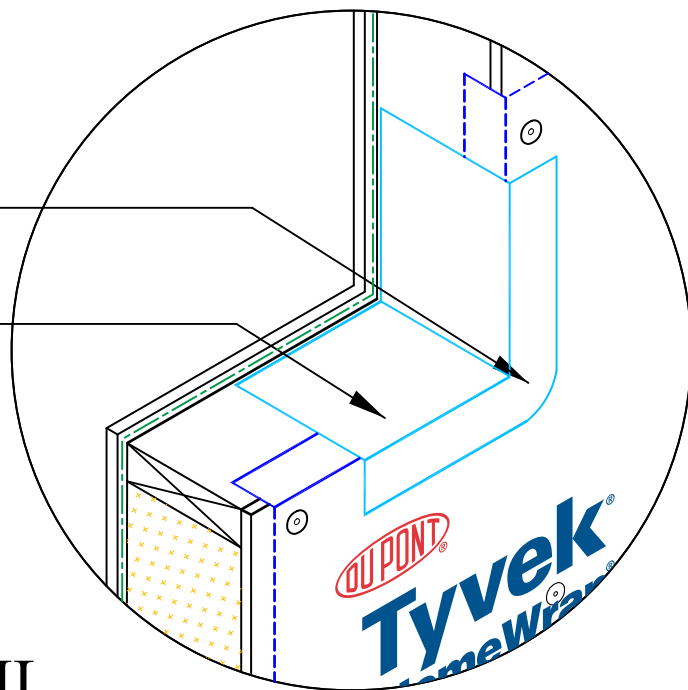


GENERAL NOTES

- *SEAL ALL TYVEK® JOINTS AND PENETRATIONS WITH APPROVED TAPE.
(ex. DUPONT™ CONTRACTOR TAPE).
- *FASTEN TYVEK® TO SHEATHING WITH LARGE HEAD NAILS
OR USE NAILS WITH LARGE PLASTIC WASHER HEADS.(ex. DUPONT™ WRAPCAPS)
- *LOCAL LAWS, ZONING, AND BUILDING CODES VARY AND
THEREFORE GOVERNS OVER MATERIAL SELECTION AND DETAILING SHOWN BELOW.



- FASTEN TYVEK® FLEXWRAP™ CORNER USING MECHANICAL FASTENER
- INSTALL TYVEK® FLEXWRAP™ AROUND PERIMETER OF OPENING



WINDOW SILL DETAIL

RESIDENTIAL WOOD FRAME STRUCTURE w/ WOOD SIDING

(HEATING CLIMATE)