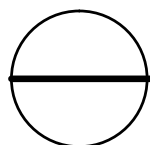
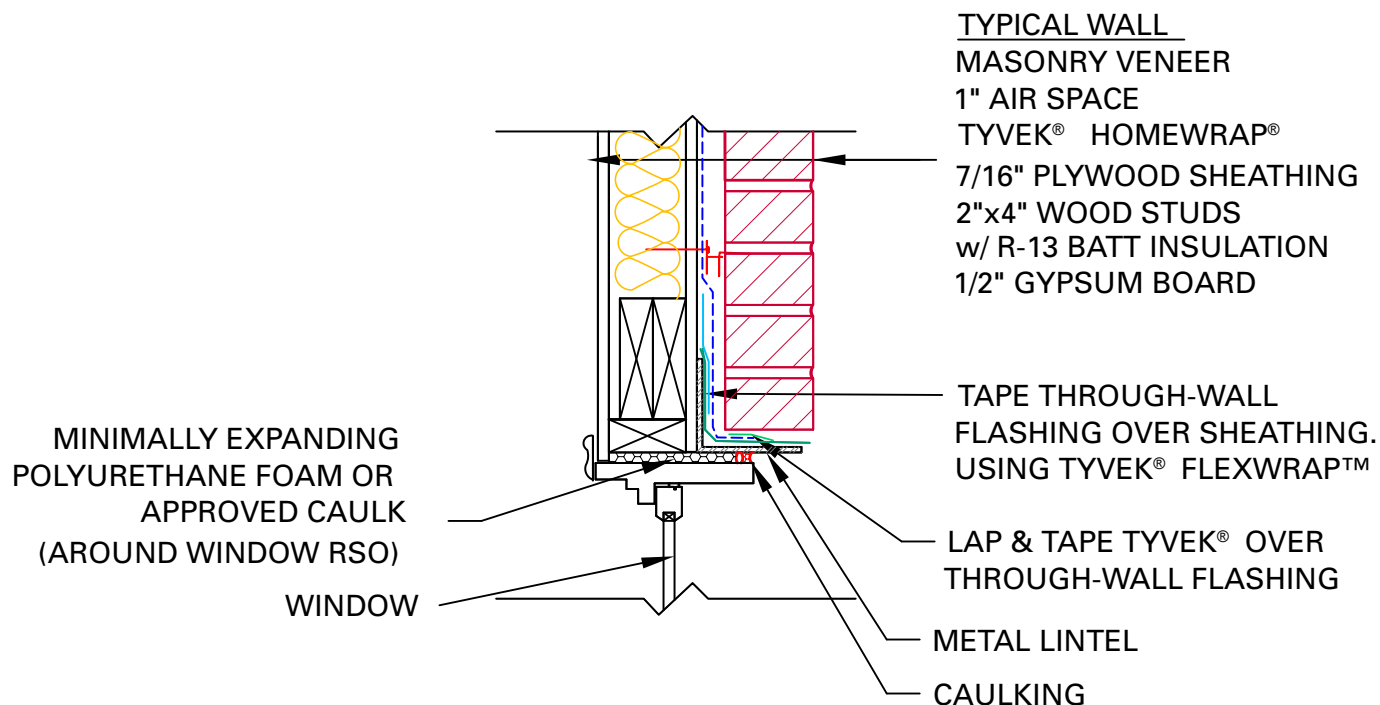


GENERAL NOTES

- *SEAL ALL TYVEK® JOINTS AND PENETRATIONS WITH APPROVED TAPE. (ex. DUPONT™ CONTRACTOR TAPE)
- *FASTEN TYVEK® TO SHEATHING WITH LARGE HEAD NAILS OR USE NAILS WITH LARGE PLASTIC WASHER HEADS. (ex. DUPONT™ WRAPCAPS)
- *SEAL OR GASKET BRICK TIES AT FACE OF TYVEK®
- *LOCAL LAWS, ZONING, AND BUILDING CODES VARY AND THEREFORE GOVERNS OVER MATERIAL SELECTION AND DETAILING SHOWN BELOW.



WINDOW HEAD DETAIL

RESIDENTIAL WOOD FRAME STRUCTURE w/ MASONRY VENEER (COOLING CLIMATE)