

## GENERAL NOTES

\*SEAL ALL TYVEK® JOINTS AND PENETRATIONS WITH APPROVED TAPE.

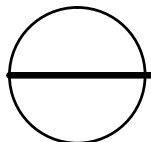
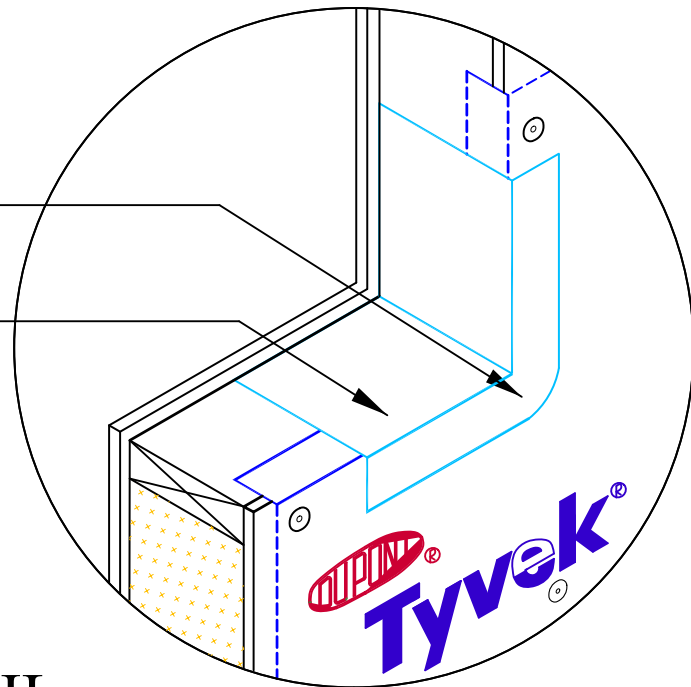
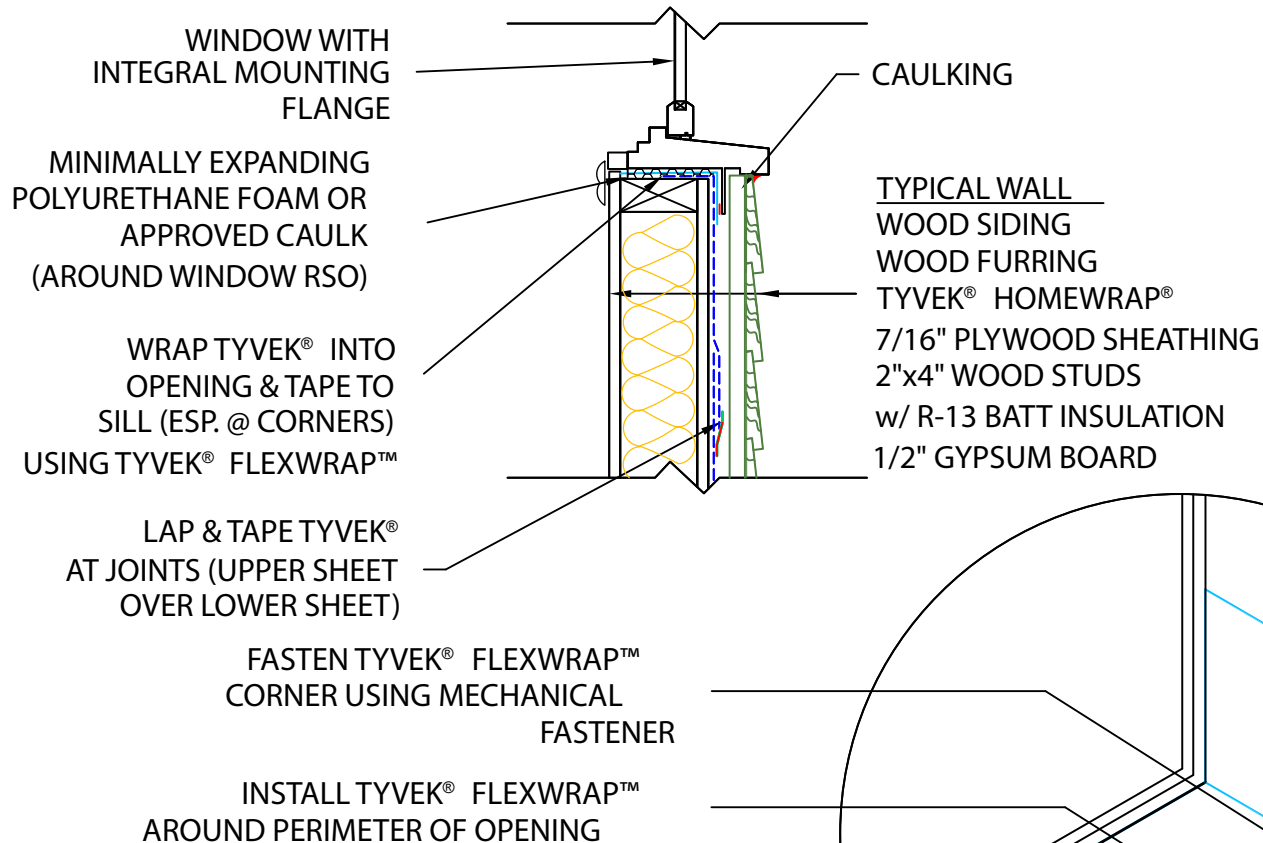
(ex. DUPONT™ CONTRACTOR TAPE).

\*FASTEN TYVEK® TO SHEATHING WITH LARGE HEAD NAILS

OR USE NAILS WITH LARGE PLASTIC WASHER HEADS. (ex. DUPONT™ WRAPCAPS)

\*LOCAL LAWS, ZONING, AND BUILDING CODES VARY AND

THEREFORE GOVERNS OVER MATERIAL SELECTION AND DETAILING SHOWN BELOW.



## WINDOW SILL DETAIL

RESIDENTIAL WOOD FRAME STRUCTURE w/ WOOD SIDING (COOLING CLIMATE)