

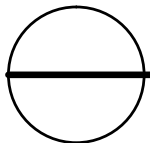
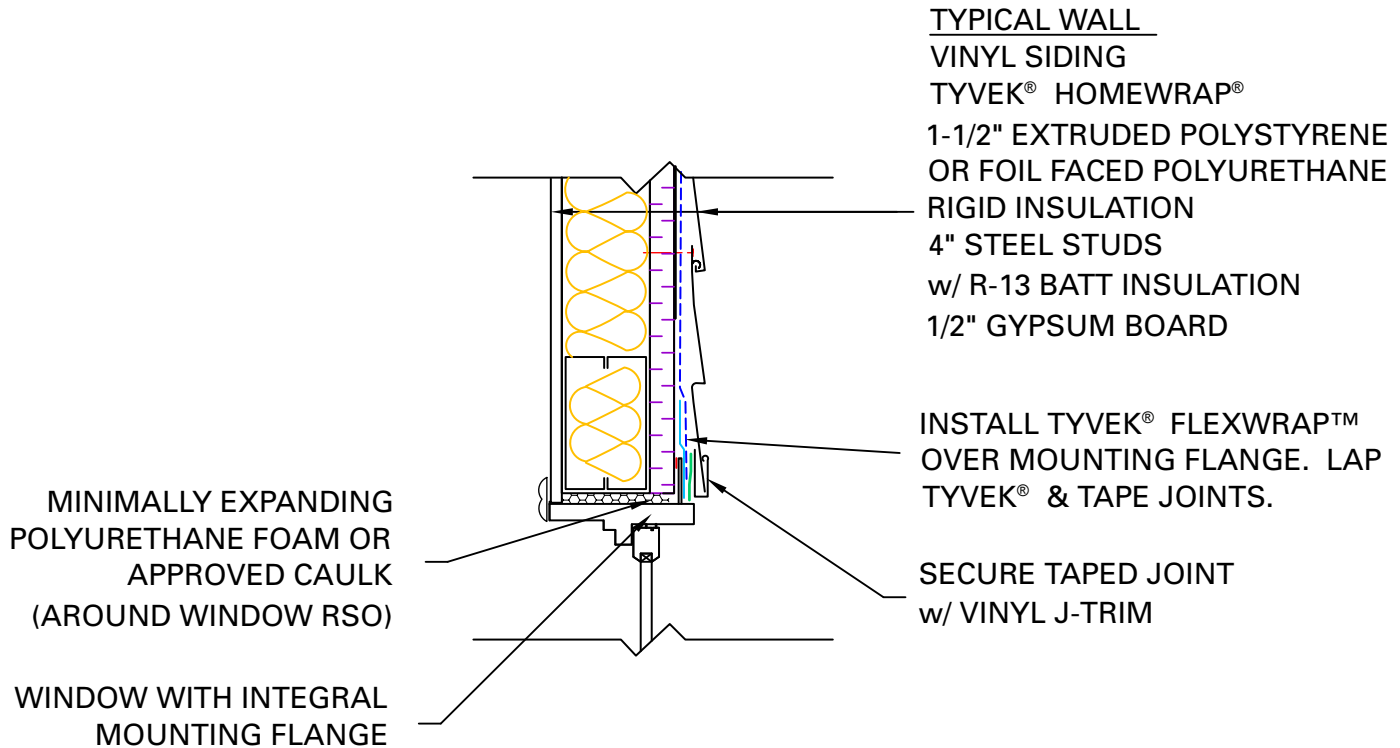
GENERAL NOTES

*SEAL ALL TYVEK® JOINTS OR PENETRATIONS WITH APPROVED TAPE.

(ex. DUPONT™ CONTRACTOR TAPE)

*FASTEN TYVEK® AND RIGID INSULATION TO STEEL STUDS USING SCREWS W/ WASHERS. (ex. DUPONT™ WRAPCAPS)

*LOCAL LAWS, ZONING, AND BUILDING CODES VARY AND THEREFORE GOVERNS OVER MATERIAL SELECTION AND DETAILING SHOWN BELOW.



WINDOW HEAD DETAIL

RESIDENTIAL STEEL FRAME STRUCTURE w/ VINYL SIDING (COOLING CLIMATE)