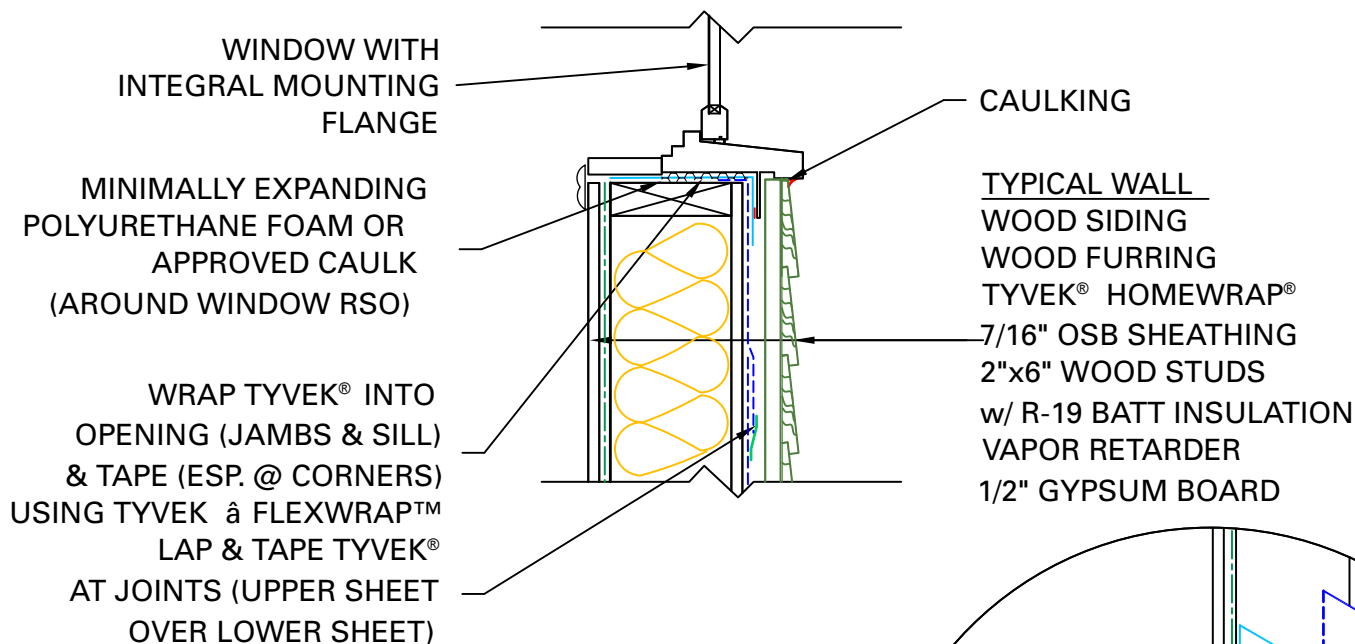
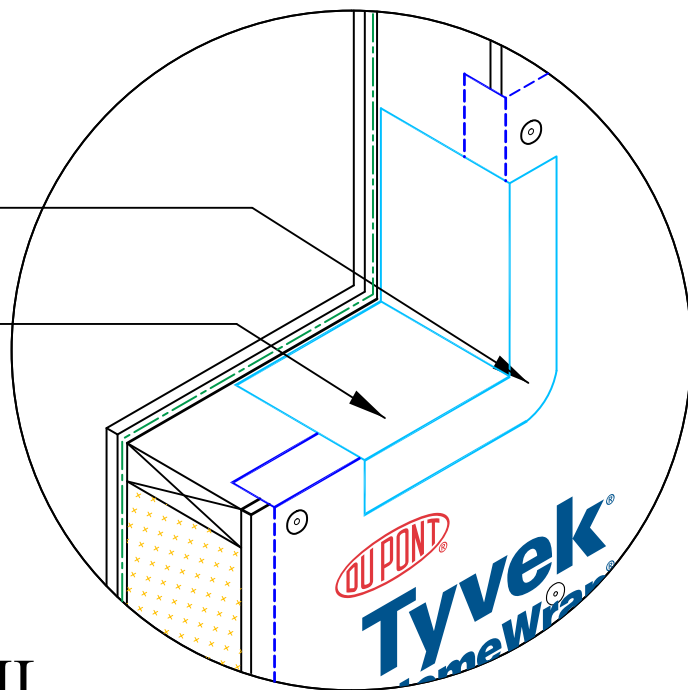


## GENERAL NOTES

- \*SEAL ALL TYVEK® JOINTS AND PENETRATIONS WITH APPROVED TAPE.  
(ex. DUPONT™ CONTRACTOR TAPE).
- \*FASTEN TYVEK® TO SHEATHING WITH LARGE HEAD NAILS  
OR USE NAILS WITH LARGE PLASTIC WASHER HEADS.(ex. DUPONT™ WRAPCAPS)
- \*LOCAL LAWS, ZONING, AND BUILDING CODES VARY AND  
THEREFORE GOVERNS OVER MATERIAL SELECTION AND DETAILING SHOWN BELOW.



- FASTEN TYVEK® FLEXWRAP™ CORNER USING MECHANICAL FASTENER
- INSTALL TYVEK® FLEXWRAP™ AROUND PERIMETER OF OPENING



## WINDOW SILL DETAIL

RESIDENTIAL WOOD FRAME STRUCTURE w/ WOOD SIDING

(HEATING CLIMATE)