

GENERAL NOTES

*SEAL ALL TYVEK® JOINTS AND PENETRATIONS WITH APPROVED TAPE.

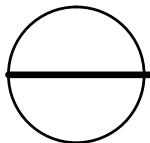
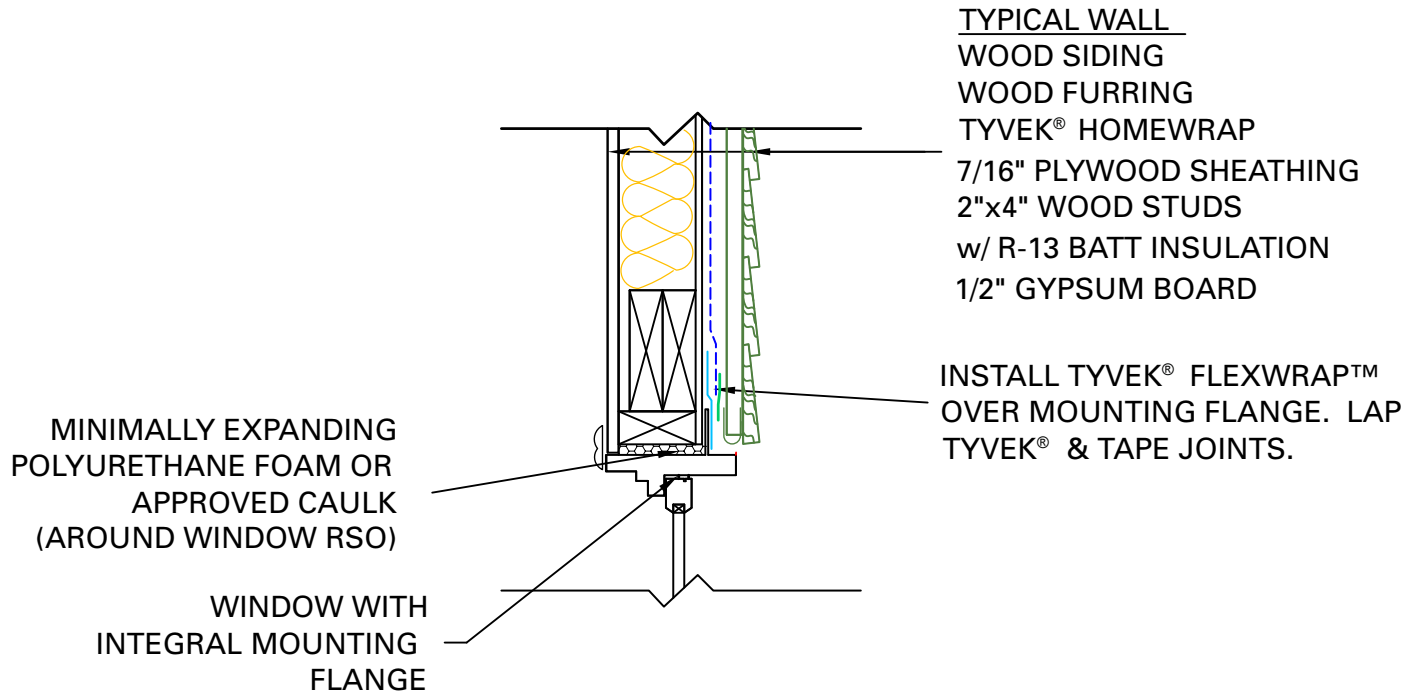
(ex. DUPONT™ CONTRACTOR TAPE).

*FASTEN TYVEK® TO SHEATHING WITH LARGE HEAD NAILS

OR USE NAILS WITH LARGE PLASTIC WASHER HEADS. (ex. DUPONT™ WRAPCAPS)

*LOCAL LAWS, ZONING, AND BUILDING CODES VARY AND

THEREFORE GOVERNS OVER MATERIAL SELECTION AND DETAILING SHOWN BELOW.



WINDOW HEAD DETAIL

RESIDENTIAL WOOD FRAME STRUCTURE w/ WOOD SIDING (COOLING
CLIMATE)