

## GENERAL NOTES

- \*SEAL ALL TYVEK® JOINTS AND PENETRATIONS WITH APPROVED TAPE. (ex. DUPONT™ CONTRACTOR TAPE)
- \*FASTEN TYVEK® TO SHEATHING WITH LARGE HEAD NAILS OR USE NAILS WITH LARGE PLASTIC WASHER HEADS. (ex. DUPONT™ WRAPCAPS)
- \*LOCAL LAWS, ZONING, AND BUILDING CODES VARY AND THEREFORE GOVERNS OVER MATERIAL SELECTION AND DETAILING SHOWN BELOW.
- \*INSTALL EIFS ACCORDING TO MANUFACTURER'S WRITTEN INSTRUCTIONS

### TYPICAL WALL

FINISH COAT

BASE COAT w/

EMBEDDED REINFORCING MESH

1-1/2" RIGID INSULATION

TYVEK® STUCCOWRAP®

7/16" OSB SHEATHING

2"x4" WOOD STUDS

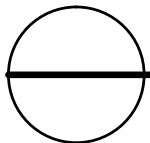
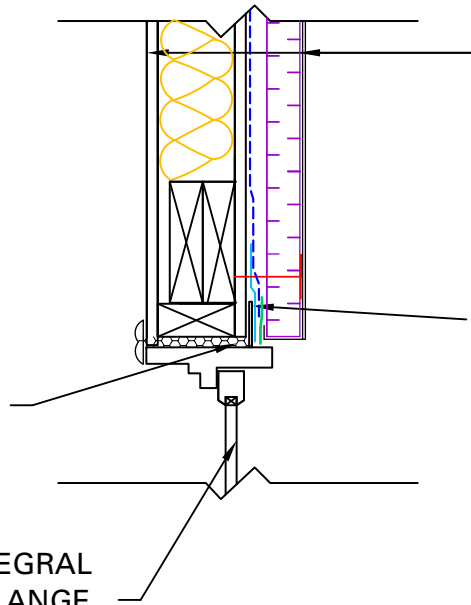
w/ R-13 BATT INSULATION

1/2" GYPSUM BOARD

INSTALL TYVEK® FLEXWRAP™  
OVER MOUNTING FLANGE. LAP  
TYVEK® & TAPE JOINTS.

MINIMALLY EXPANDING  
POLYURETHANE FOAM OR  
APPROVED CAULK  
(AROUND WINDOW RSO)

WINDOW WITH INTEGRAL  
MOUNTING FLANGE



## WINDOW HEAD DETAIL

RESIDENTIAL WOOD FRAME STRUCTURE w/ EIFS CLADDING  
(COOLING CLIMATE)