

STEP 7

- A. REMOVE SECOND HALF OF THE RELEASE PAPER.
- B. FAN DUPONT™ FLEXWRAP™ NF AT BOTTOM CORNERS AND ADHERE ONTO EXTERIOR FACE OF WALL.
- C. USE FIRM HAND PRESSURE OR J-ROLLER. SILL FLASHING TO ENSURE FULL ADHESION ON ALL SURFACES.

STEP 6

- A. INSTALL THE SILL FLASHING. REMOVE THE LARGEST STRIP OF RELEASE PAPER, ALIGN THE FLASHING WITH THE INTERIOR EDGE OF SILL AND INSTALL INTO ROUGH OPENING ACROSS SILL AND UP JAMBS (6" MIN.).
- B. APPLY WORKING FROM THE MIDDLE OF THE SILL TOWARDS THE SIDES. SECURE DUPONT™ FLEXWRAP™ NF TIGHTLY INTO THE CORNERS BY FIRST WORKING IN ALONG THE SILL BEFORE ADHERING UP THE JAMBS.
- C. DO NOT STRETCH MATERIAL ALONG THE SILL OR JAMBS.

STEP 5

- A. PREPARE THE SILL FLASHING BY CUTTING A PIECE OF DUPONT™ FLEXWRAP™ NF THAT IS AT LEAST 12" LONGER THAN THE SILL LENGTH.
- B. INSPECT INSTALLATION SURFACE TO ENSURE THE SURFACE IS FREE OF DIRT AND SUBSTANCES THAT COULD INTERFERE WITH ADHESION AS WELL AS ANY SHARP PROTRUSIONS.

STEP 4

- A. FLIP THE CUT HEAD FLAP UPWARD TO EXPOSE THE SHEATHING AND TEMPORARILY SECURE WITH DUPONT™ TYVEK™ TAPE.
- B. USE THE DUPONT™ TYVEK™ TAPE TO ALSO SECURE THE DUPONT™ TYVEK™ WRB AROUND THE ROUGH OPENING BEFORE FLASHING IS INSTALLED TO HELP FACILITATE FLASHING INSTALLATION.

STEP 3

- A. CUT AN OPENING IN THE DUPONT™ TYVEK™ WRB ALONG THE PERIMETER OF THE ROUGH OPENING.
- B. ENSURE THE DUPONT™ TYVEK™ WRB IS CUT FLUSH WITH THE SHEATHING AND IS NOT WRAPPED INTO THE ROUGH OPENING.
- C. CUT A HEAD FLAP AT A 45 ANGLE TO EXPOSE 8" OF SHEATHING TO ALLOW FOR HEAD FLASHING INSTALLATION.

STEP 2

- A. DUPONT™ TYVEK™ WRB TO BE MECHANICALLY FASTENED AND INSTALLED OVER SHEATHING.
- B. DO NOT INSTALL FASTENERS WITHIN 6" OF THE SILLS AND JAMBS OF THE OPENINGS AND WITHIN 9" OF THE HEAD OPENINGS.

STEP 1

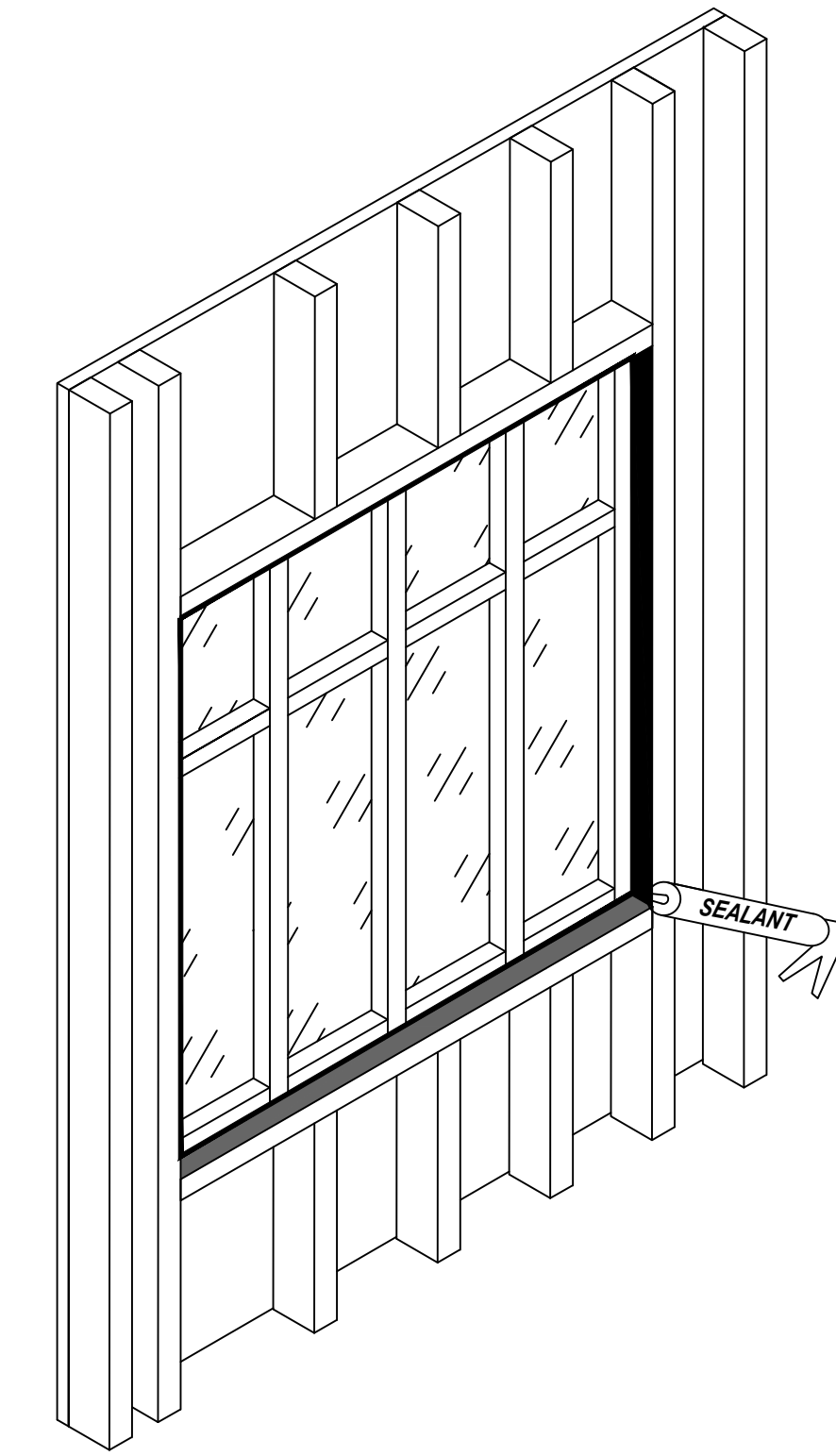
- A. SHEATHING TO BE INSTALLED OVER BARE STUDS.
- B. AFTER SHEATHING HAS BEEN INSTALLED, CUT AN OPENING IN THE SHEATHING ALONG THE PERIMETER OF THE ROUGH OPENING FOR WINDOW.
- C. ENSURE THE SHEATHING IS CUT FLUSH WITH OR SLIGHTLY BELOW THE SILL FRAMING TO ALLOW FOR POSITIVE DRAINAGE.
- D. FRAMING AND NON-WATERPROOFING COMPONENTS ARE ONLY SHOWN SCHEMATICALLY. SEE DRAWINGS BY OTHERS FOR DETAILED INFORMATION.

NOTE: FOR ADDITIONAL INFORMATION REGARDING PRODUCT INSTALLATION AND/OR FABRICATION INSTRUCTIONS FOR RECESSED WINDOW CORNERS, REFER TO THE APPLICABLE DUPONT™ SELF-ADHERED FLASHING SYSTEMS PRODUCTS INSTALLATION GUIDELINE.

Non Flanged (Storefront) Window After WRB Installation Sequence

DRAWING:	REVISION DATE
R-OP-2210-MA, Page 1 of 2	11/12/2016
	SCALE: Not to Scale

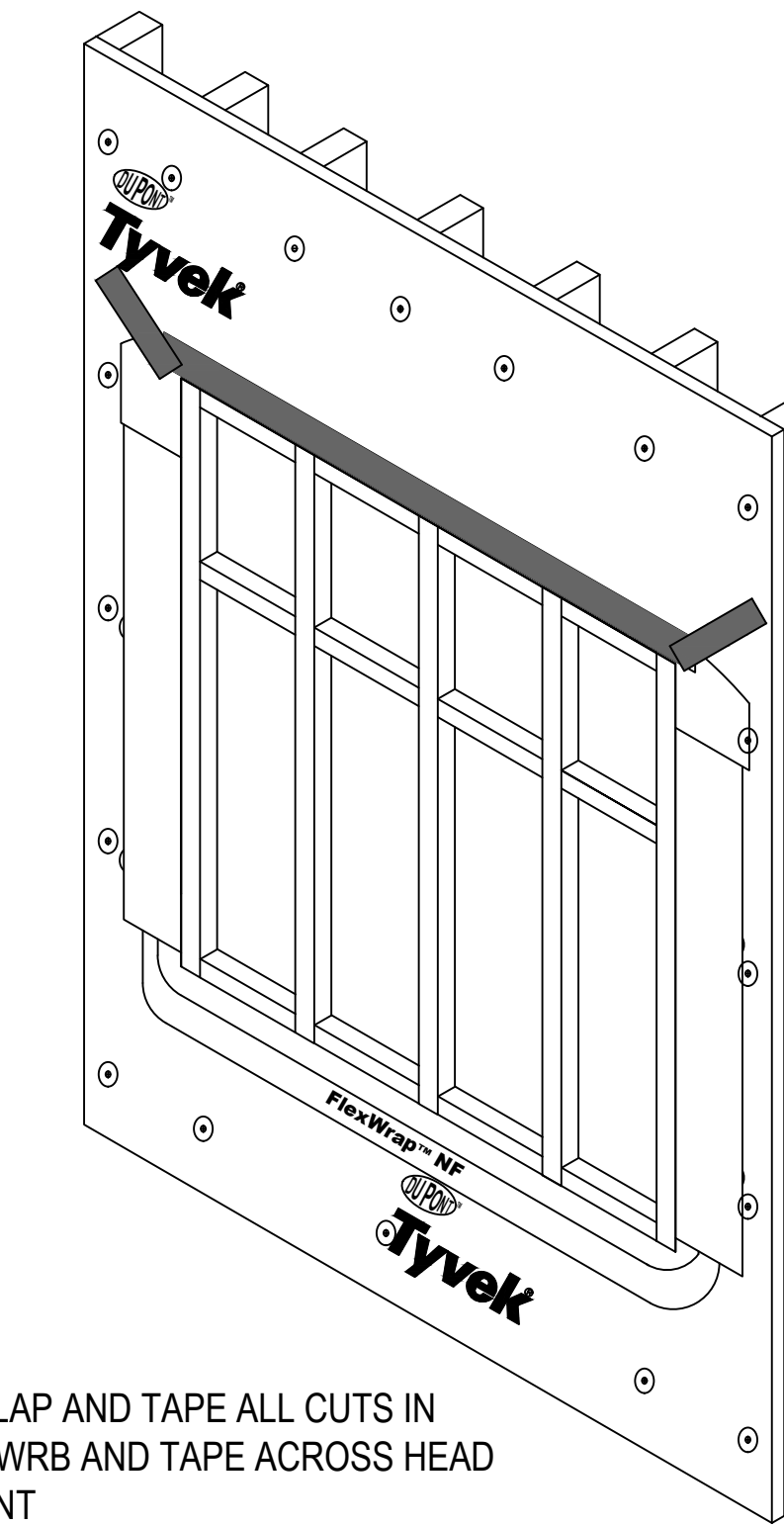




STEP 13

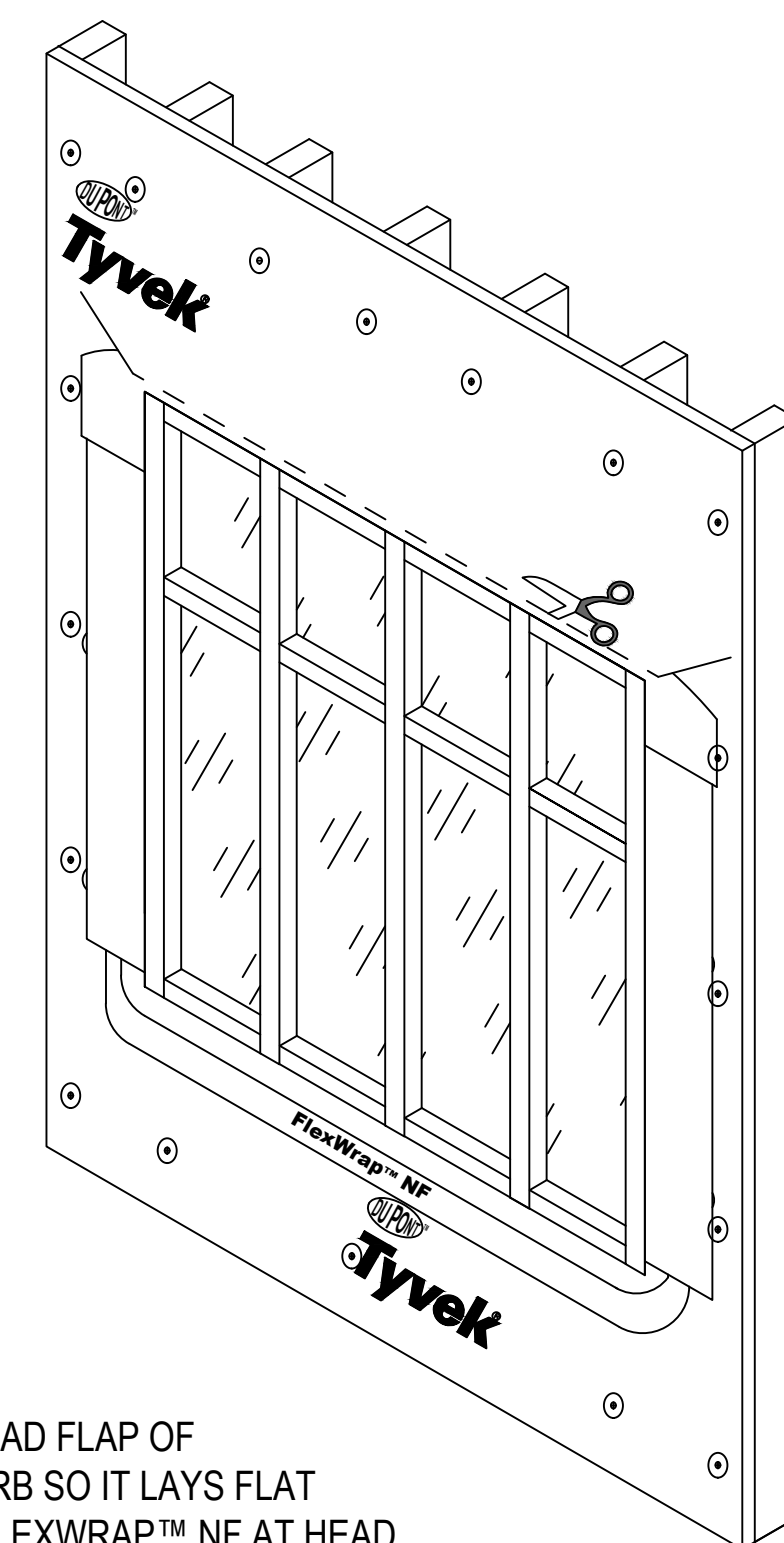
- A. INSTALL DUPONT™ RESIDENTIAL SEALANT, OR RECOMMENDED SEALANT, (AND BACKER ROD AS NECESSARY) AROUND THE WINDOW OPENING AT THE INTERIOR.

NOTE: IT IS ALSO ACCEPTABLE TO USE DUPONT™ WINDOW & DOOR FOAM OR RECOMMENDED FOAM. THE SEAL CREATED BY THE SEALANT (AND BACKER ROD AS NECESSARY) OR FOAM WILL ALSO SERVE AS A BACK DAM.



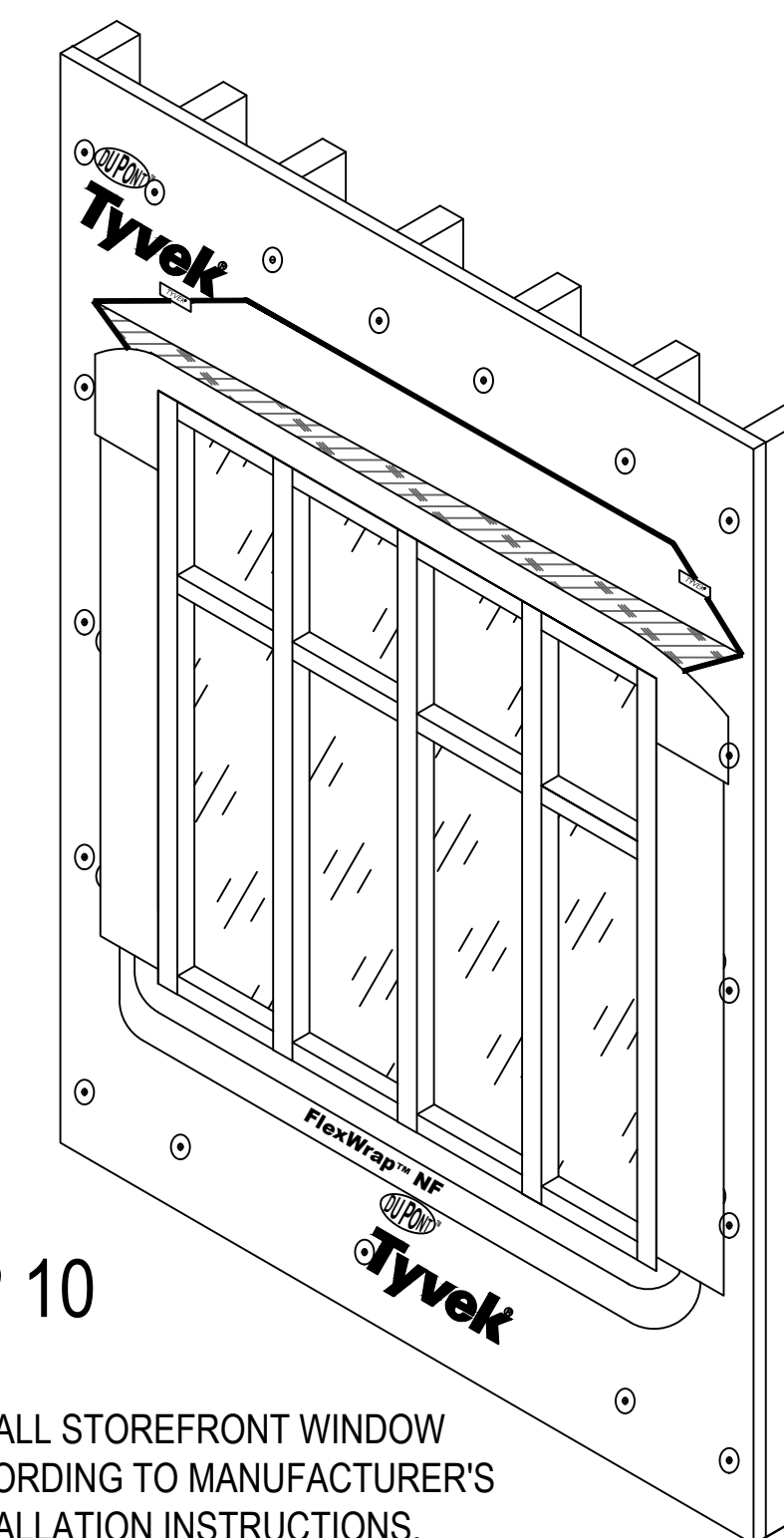
STEP 12

- A. FLIP DOWN HEAD FLAP AND TAPE ALL CUTS IN DUPONT™ TYVEK® WRB AND TAPE ACROSS HEAD OF THE STOREFRONT WITH 4" DUPONT™ STRAIGHTFLASH™.
- B. TRIM THE DUPONT (TM) TYVEK(R) WRB 1-2" ABOVE THE WINDOW OPENING (ADD GRAPHIC SIMILAR TO STEP 16 WP-1.)



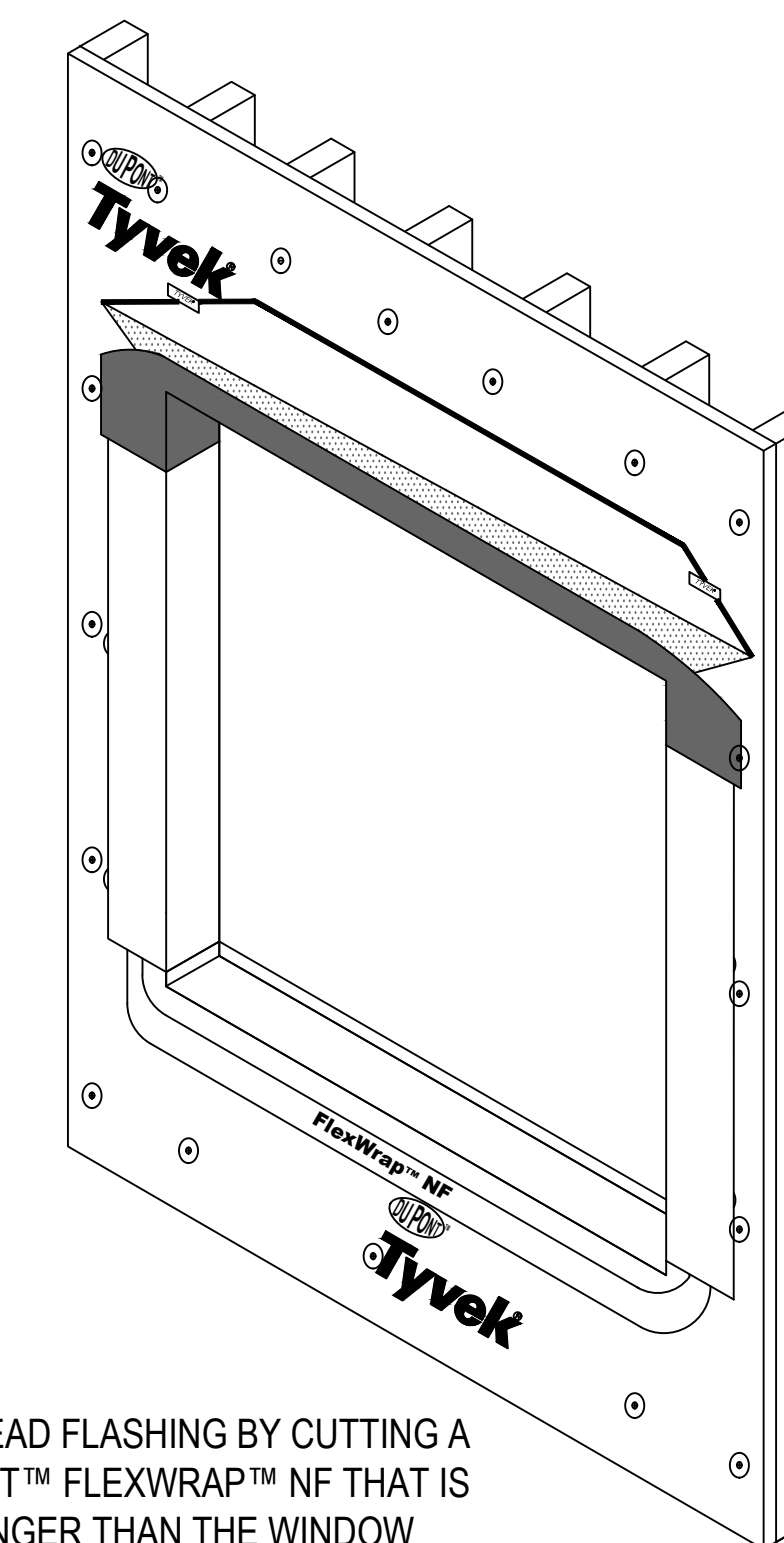
STEP 11

- A. FLIP DOWN UPPER HEAD FLAP OF DUPONT™ TYVEK® WRB SO IT LAYS FLAT ACROSS DUPONT™ FLEXWRAP™ NF AT HEAD OF OUTER RECESS.
- B. CUT 1" STRIP OF DUPONT™ TYVEK® WRB AT LOWER HORIZONTAL EDGE OF HEAD FLAP.



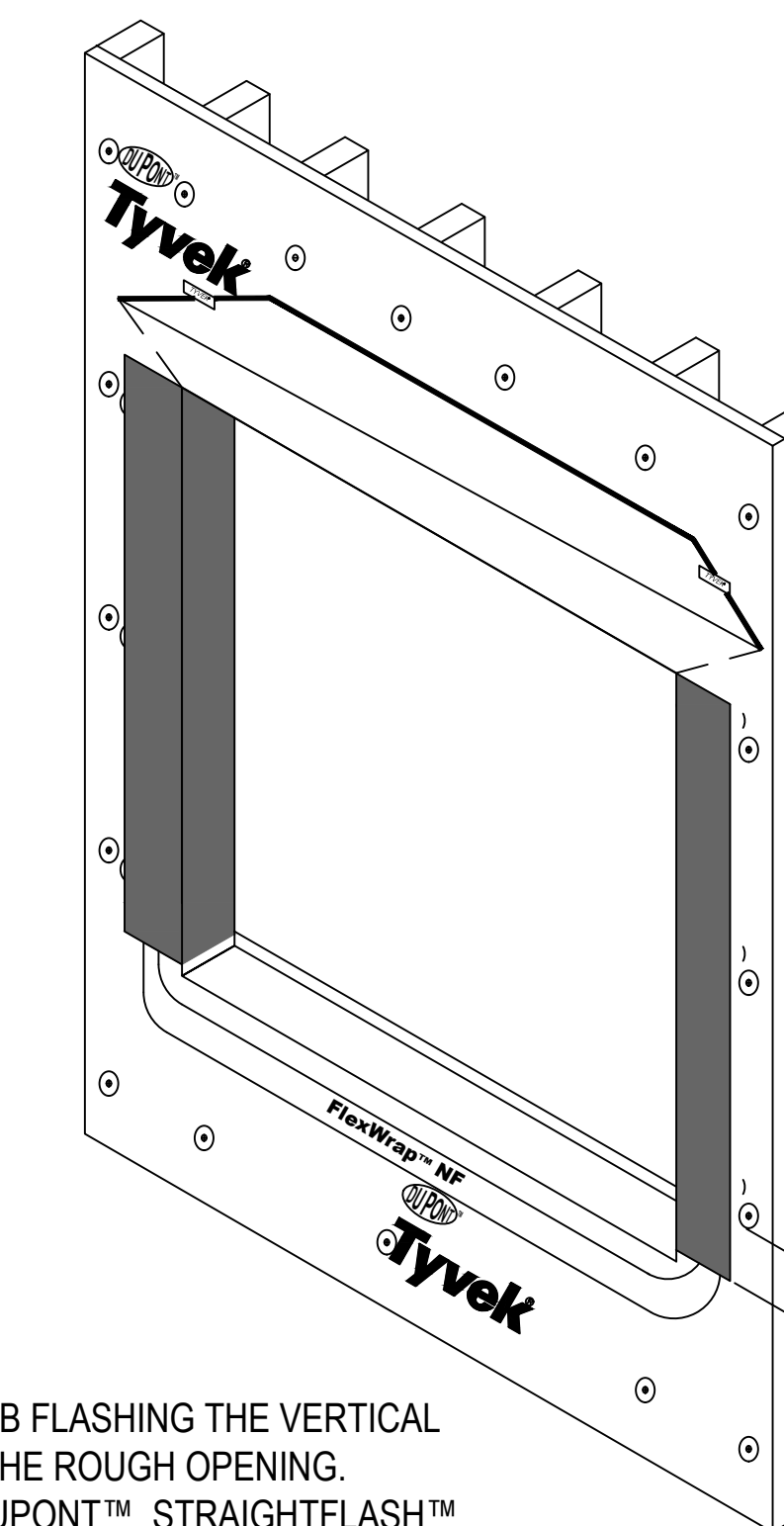
STEP 10

- A. INSTALL STOREFRONT WINDOW ACCORDING TO MANUFACTURER'S INSTALLATION INSTRUCTIONS.
- B. SEE APPLICABLE INSTALLATION GUIDELINES FOR INSTALLATION OF METAL HEAD FLASHING OPTION.



STEP 9

- A. PREPARE THE HEAD FLASHING BY CUTTING A PIECE OF DUPONT™ FLEXWRAP™ NF THAT IS AT LEAST 12" LONGER THAN THE WINDOW HEAD ROUGH OPENING.
- B. INSPECT INSTALLATION SURFACE TO ENSURE THE SURFACE IS FREE OF DIRT AND SUBSTANCES THAT COULD INTERFERE WITH ADHESION AS WELL AS ANY SHARP PROTRUSIONS.
- C. INSTALL THE HEAD FLASHING. REMOVE THE LARGEST STRIP OF RELEASE PAPER, ALIGN THE FLASHING WITH THE INTERIOR EDGE OF ROUGH OPENING AND INSTALL ACROSS HEAD AND OWN JAMBS (6" MIN.).
- D. APPLY WORKING FROM THE MIDDLE OF THE HEAD ROUGH OPENING TOWARDS THE SIDES. SECURE THE DUPONT™ FLEXWRAP™ NF TIGHTLY INTO THE CORNERS BY FIRST WORKING IN ALONG THE ROUGH OPENING HEAD BEFORE ADHERING DOWN THE JAMBS.
- E. DO NOT STRETCH MATERIAL ALONG THE HEAD OR JAMBS.



STEP 8

- A. CUT THE JAMB FLASHING THE VERTICAL LENGTH OF THE ROUGH OPENING.
- B. INSTALL 9" DUPONT™ STRAIGHTFLASH™ INTO THE ROUGH OPENING AT EACH JAMB AND ONTO EXTERIOR FACE OF WALL. THE FLASHING DOES NOT NEED TO ALIGN WITH THE INTERIOR EDGE OF THE JAMB FRAMING.

2" MIN. OVERLAP

NOTE: FOR ADDITIONAL INFORMATION REGARDING PRODUCT INSTALLATION AND/OR FABRICATION INSTRUCTIONS FOR RECESSED WINDOW CORNERS, REFER TO THE APPLICABLE DUPONT™ SELF-ADHERED FLASHING SYSTEMS PRODUCTS INSTALLATION GUIDELINE.

Non Flanged (Storefront)
Window After WRB Installation
Sequence

DRAWING:
R-OP-2210-MA, Page 2 of 2

REVISION DATE:
11/11/2016

SCALE: Not to Scale

